

## ACUIX™ Mounts and Adapters

www.honeywellvideo.com

### FULL RANGE OF MOUNTS AND ADAPTERS FOR PTZ DOMES

Honeywell offers a complete family of mounts and adapters for the ACUIX™ and ACUIX ES domes. In simple or complex applications, these mounts and adapters offer affordability and space efficiency without sacrificing performance.

The **HDXWM2** and **HDVWM1** wall mounts are constructed of high tensile cast aluminum and can be mounted directly to a vertical load-bearing surface supporting up to 25.8 lb (11.7 kg). The HDXWM2 has a covered weatherproof cable access hole for ease of installation and can be corner or pole mounted using the HDXCMA1 corner mount adapter or the HDXPMA1 pole mount adapter. The HDVWM1 wall mount is for internal use only.

The **HDPRM2** parapet and flat-roof mount has a unique rotating 1.5" NPT threaded mounting nut that allows for easy installation of the dome without having to twist the dome and wiring. The mount is designed to swivel within small clearance limits, which aids in maintenance and installation. The HDPRM2 is constructed of heavy-duty steel and is available in a warm gray finish. For wall mount applications, HDPRM2 mounts directly to vertical load-bearing surfaces or to a horizontal load-bearing surface for a roof mount application. The HDPRM2 supports up to 20 lb (9.1 kg) and can withstand winds up to 75 mph (121 kph) when properly fastened to a support structure.

The **HDCM1** ceiling pendant mount utilizes a 1.5" NPT, is constructed of heavy-duty steel and is available a warm gray finish. The HDCM1 mounts directly to a horizontal load-bearing surface and supports up to 25.8 lb (11.7 kg). It has a unique rotating 1.5" NPT threaded mounting nut that allows for easy installation of the dome without having to twist the dome and wiring.

### Market Opportunities

The flexible mounting options for ACUIX make it a suitable dome for most indoor and outdoor installations. Where an aesthetically pleasing installation is needed, such as in banks or retail outlets, Honeywell has a solution with a full line of mounts and adapters. When used with Honeywell's corner mount adapter, coverage for both the front and side areas of a building or parking lot is possible using a single dome.

Honeywell's pole mount adapters ensure hassle-free installation on tall poles such as in traffic monitoring and marine locations, allowing maximum viewing coverage even under high wind conditions.

### Features:

- Heavy-duty design for harsh environments
- Handles wind loads up to 75 mph (121 kph)
- Solid construction ensures maximum strength
- Pivoting mount allows for 'ladder-less' installation and access
- Interconnecting cabling hidden in mount
- Removable access door for simplified cable strength connections



HDXWM2



HDVWM1



HDXPMA1



HDXCMA1



HDPRM2



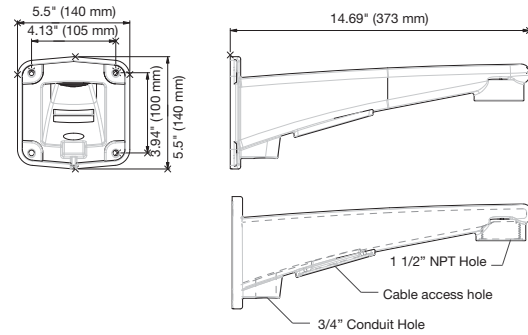
HDCM1

## ACUIX™ Mounts and Adapters

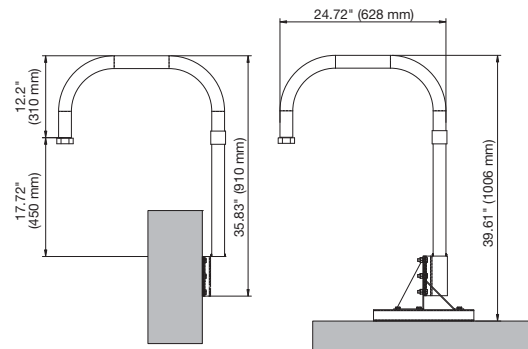
www.honeywellvideo.com

### SPECIFICATIONS

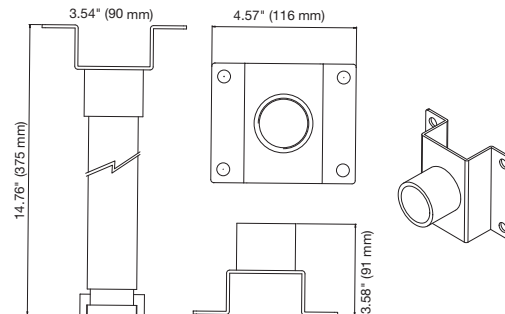
| HDXWM2 – Wall Mount |                             |
|---------------------|-----------------------------|
| Construction        | High tensile aluminum alloy |
| Finish              | Warm gray                   |
| Dimensions          | See line drawing            |
| Environment         | Indoor and outdoor          |
| Weight              | 3.2 lb (1.45 kg)            |
| Max Load            | 25.8 lb (11.7 kg)           |
| Wind Load           | 75 mph (121 kph)            |



| H DPRM2 - Parapet and Roof Mount |                   |
|----------------------------------|-------------------|
| Construction                     | Steel             |
| Finish                           | Warm gray         |
| Dimensions                       | See line drawing  |
| Environment                      | Outdoor           |
| Weight                           | 22.5 lb (10.2 kg) |
| Max Load                         | 20.1 lb (9.1 kg)  |
| Wind Load                        | 75 mph (121 kph)  |



| HDCM1 – Ceiling Mount for Indoor Pendant |                  |
|--|------------------|
| Construction                             | Aluminum         |
| Finish                                   | Warm gray        |
| Dimensions                               | See line drawing |
| Environment                              | Indoor           |
| Weight                                   | 1.8 kg           |

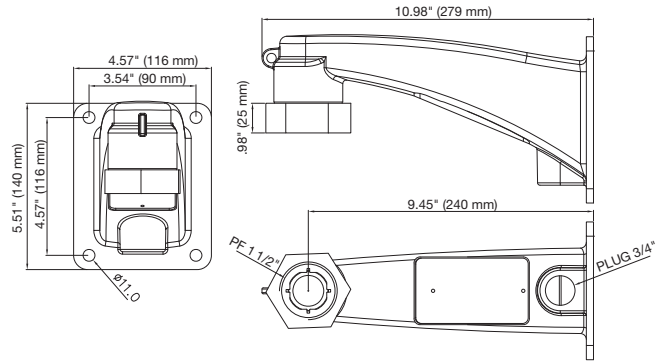


## ACUIX™ Mounts and Adapters

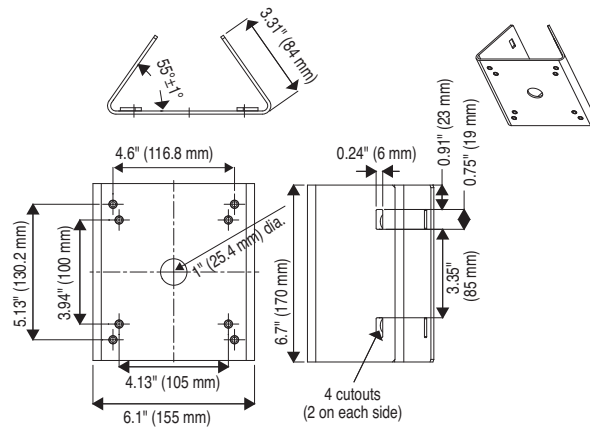
www.honeywellvideo.com

### SPECIFICATIONS

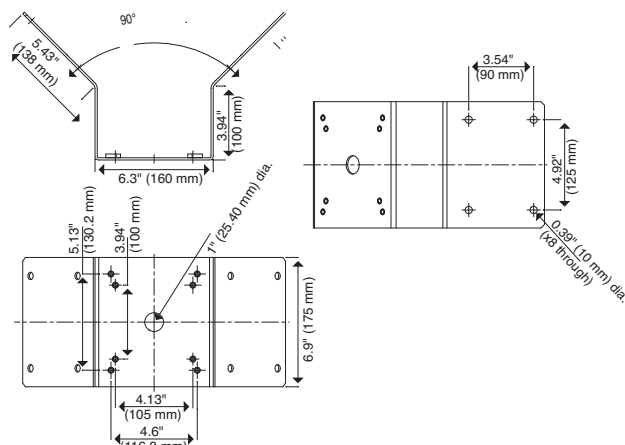
| HDVWM1 – Wall Mount |                   |
|---------------------|-------------------|
| Construction        | Cast Aluminum     |
| Finish              | RAL 7035          |
| Dimensions          | See line drawing  |
| Environment         | Indoor            |
| Weight              | 2.54 lb (1.15 kg) |
| Max Load            | 25.8 lb (11.7 kg) |



| HDXPMA1 – Pole Mount Adapter |                    |
|------------------------------|--------------------|
| Construction                 | Steel              |
| Finish                       | Warm gray          |
| Dimensions                   | See line drawing   |
| Environment                  | Indoor and outdoor |
| Weight                       | 3.97 lb (1.8 kg)   |
| Max Load                     | 29.98 lb (13.6 kg) |
| Wind Load                    | 75 mph (121 kph)   |



| HDXCMA1 – Corner Adapter |                    |
|--------------------------|--------------------|
| Construction             | Steel              |
| Finish                   | Warm gray          |
| Dimensions               | See line drawing   |
| Environment              | Indoor and outdoor |
| Weight                   | 3.97 lb (1.8 kg)   |
| Max Load                 | 29.98 lb (13.6 kg) |
| Wind Load                | 75 mph (121 kph)   |



# ACUIX™ Mounts and Adapters

www.honeywellvideo.com

## ORDERING

|                | Indoor | Outdoor |
|----------------|--------|---------|
| <b>HDVWM1</b>  | X      |         |
| <b>HDXWM2</b>  | X      | X       |
| <b>HDPRM2</b>  | X      | X       |
| <b>HDCM1</b>   | X      |         |
| <b>HDXPMA1</b> | X      | X       |
| <b>HDXCMA1</b> | X      | X       |

| Ordering |  |
|----------|--|
| HDVWM1   | Indoor Only Wall Mount                                 |
| HDXWM2   | Indoor and Outdoor Wall Mount                          |
| HDPRM2   | Parapet and Flat Roof Mount                            |
| HDCM1    | Ceiling Mount for Indoor Pendant (Not for outdoor use) |
| HDXPMA1  | Pole Mount Adapter for HDXWM2 and Rugged Housing       |
| HDXCMA1  | Corner Mount Adapter for HDXWM2 and Rugged Housing     |

**NOTE:** Honeywell reserves the right, without notification, to make changes in product design or specifications.