

# LHM 0606/xx Ceiling Loudspeaker



The LHM 0606/xx is a general purpose, 6 W, cost-effective ceiling loudspeaker. The /00 version is screw mounted and the /10 version is clamp mounted into the ceiling. An optional fire dome is available.

## Functions

An economic flushing-mounting ceiling loudspeaker is available for general purpose applications. This full range loudspeaker is suitable for both speech and music reproduction in shops, department stores, schools, offices, sports halls, hotels and restaurants.

The speaker assembly consists of a single-piece, 6W dual cone loudspeaker and frame, with a 100 V, matching transformer mounted on the back. A circular metal grille is an integrated part of the front. The appearance and neutral white color has been selected to be unobtrusive in virtually all interiors.

- ▶ Suitable for speech and music reproduction
- ▶ Flush-mounting in ceiling cavity
- ▶ Easy to install
- ▶ Simple power setting
- ▶ Unobtrusive in virtually all interiors
- ▶ Complies with international installation and safety regulations

## Certifications and Approvals

All Bosch loudspeakers are designed to withstand operating at their rated power for 100 hours in accordance with IEC 268-5 Power Handling Capacity (PHC) standards. Bosch has also developed the Simulated Acoustical Feedback Exposure (SAFE) test to demonstrate that they can withstand two times their rated power for short durations. This ensures extra reliability under extreme conditions, leading to higher customer satisfaction, longer operating life, and much less chance of failure or performance deterioration.

Safety

acc. to EN 60065

## Installation/Configuration Notes

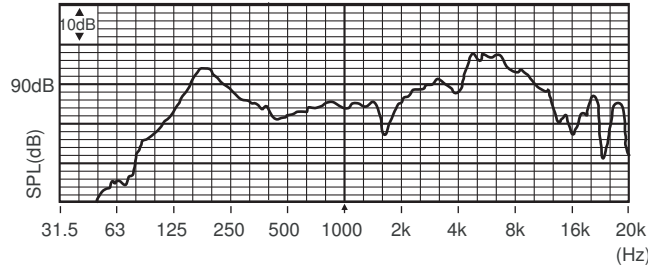
### Mounting

The assembly is simply and quickly installed into a hole in the ceiling cavity. The /00 version is secured with the three white screws (supplied). The /10 version is secured by two integral spring-loaded ceiling locking clamps. A circular template for marking a 165 mm diameter hole is included with the loudspeaker.

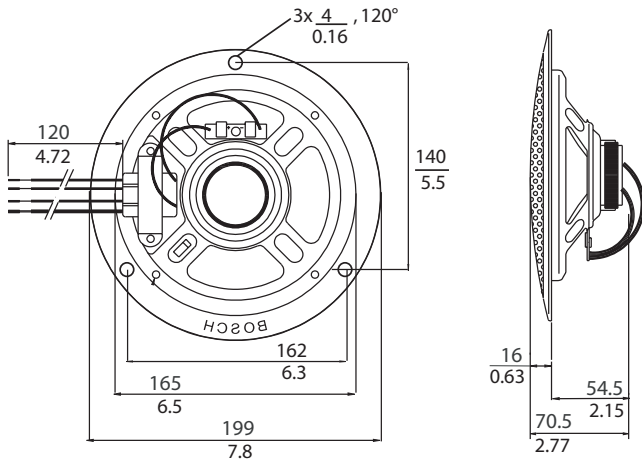
Three wires on the matching transformer (primary) provide for selection of nominal full-power, half-power or quarter-power radiation.

**Fire dome**

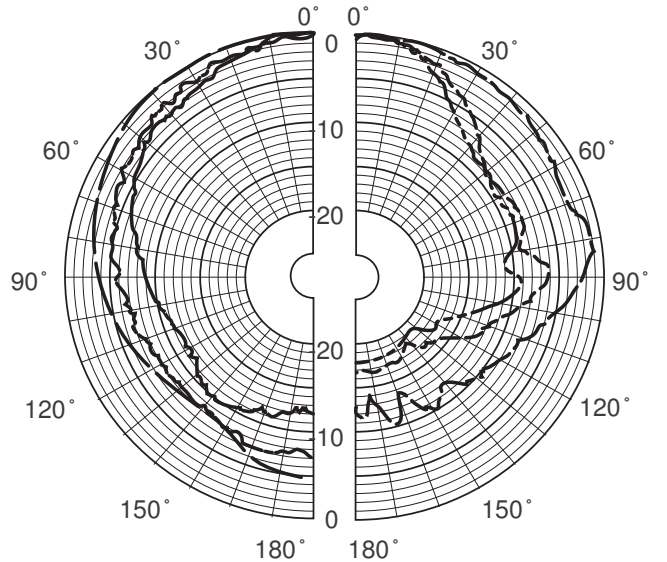
During a fire, the ceiling cavity in which loudspeakers are installed can allow flames to spread throughout a building. To prevent fire entering the cavity via the loudspeaker, the ceiling loudspeaker can be fitted with a protective steel fire dome (LBC 3080/01). This optional fire dome is mounted on the loudspeaker assembly using four self-tapping screws, supplied as standard. There are four knock-out holes; two (2) for rubber grommets (supplied) and two (2) for cable glands. (PG13).



Frequency response

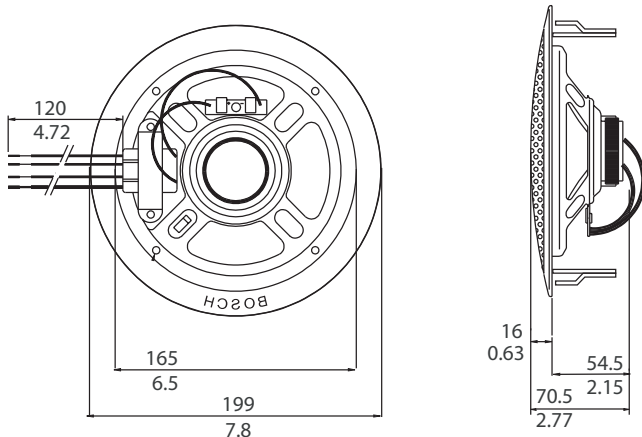


LHM 0606/00 Dimensions in mm / inch



- 250 Hz
- - - 500 Hz
- 1000 Hz
- 2000 Hz
- - - 4000 Hz
- - - 8000 Hz

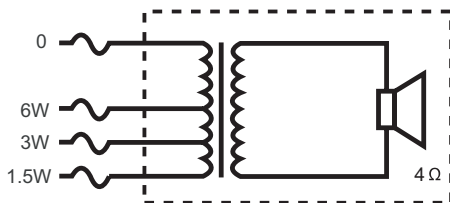
Polar diagram (measured with pink noise)



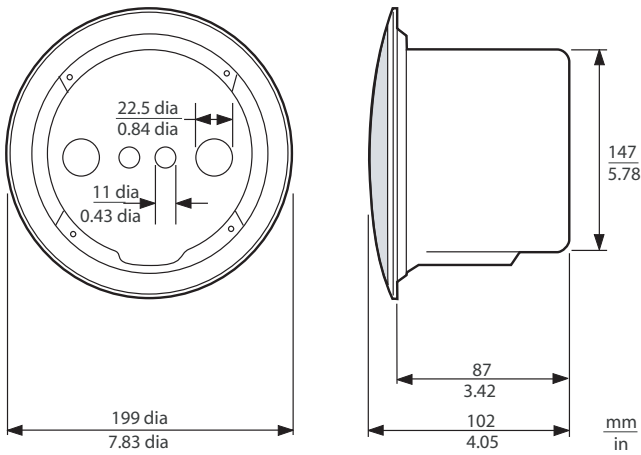
LHM 0606/10 Dimensions in mm / inch



LBC 3080/01 Fire Dome (optional)



Circuit diagram



LHM 0606/xx + LBC 3080/01 Fire dome assembly dimensions in mm

### Ordering Information

**LHM 0606/00 Ceiling Loudspeaker** **LHM0606/00**  
6 W, screw mounted

**LHM 0606/10 Ceiling Loudspeaker** **LHM0606/10**  
6 W, clamp mounted

### Accessories

**LBC 1256/00 EVAC Connection Adapter** **LBC1256/00**  
3-pole screw connector, 100 pieces

**LBC 3080/01 Fire Dome** **LBC 3080/01**  
metal fire dome for the LBC 3087/41,  
LBC 3090/01, LBC 3090/31, LHM 0606/00  
and LHM 0606/10 ceiling loudspeakers

### Technical Specifications

#### Electrical

Maximum power	9 W
Rated power	6 / 3 / 1.5 W
Sound pressure level at 6 W / 1 W (1 kHz, 1 m)	94 dB / 86 dB (SPL)
Sound pressure level at 6 W / 1 W (4 kHz, 1 m)	106 dB / 98 dB (SPL)
Effective frequency range (-10 dB)	80 Hz to 18 kHz
Opening angle at 1 kHz/4 kHz (-6 dB)	175° / 55°
Rated voltage	100 V
Rated impedance	1667 ohm
Connection	Flying leads

#### Mechanical

Diameter	199 mm (7.8 in)
Maximum depth	70.5 mm (2.8 in)
Mounting cut-out	165 + 5 mm (6.5 + 0.20 in)
Speaker diameter	152.4 mm (6 in)
Weight	620 g (1.37 lb)
Color	White (RAL 9010)

#### Environmental

Operating temperature	-25 °C to +55 °C (-13 °F to +131 °F)
Storage temperature	-40 °C to +70 °C (-40 °F to +158 °F)
Relative humidity	<95%