

## HMLCD17e2 e-Series LCD Monitor

www.honeywellvideo.com

### 17-INCH LCD COLOR MONITOR

Honeywell's HMLCD17e2 is a professional grade 17-inch LCD monitor designed specifically for the video surveillance market to provide superior image quality and long life. The HMLCD17e2 is engineered to provide fluid full motion video provided by fast pixel response time and crisp images by incorporating 3D Comb filtering and de-interlacing. Picture quality, sleek design, and versatile mounting options make the HMLCD17e2 an ideal LCD monitor for DVR and small matrix system installations.

The convenient front panel controls allow the user to maximize image quality using the on-screen display (OSD) menu, which can be programmed with one of five languages. The control buttons are bottom mounted for increased protection and have excellent tactile feel and allow rapid adjustment of all monitor settings. The 300 cd/m<sup>2</sup> panel delivers flicker-free video.

Protective glass enhances contrast and reduces the potential of screen damage. Auto power turn-on restores operation in case of power loss. The remote control permits quick adjustments of all monitor settings, even for monitors mounted in hard-to-reach places. The 100 mm VESA™ DDC compliant mounting features permits the user to attach the HMLCD17e2 to any standard mount.

#### Market Opportunities

The Honeywell HMLCD17e2 delivers excellent high resolution video for a variety of applications. With S-Video, BNC and VGA inputs, this monitor is a direct replacement for both CRT and VGA monitors. LCD monitors are more cost effective long term because they consume less power, last longer, reduce HVAC requirements and require less space. Perfect for use in confined viewing areas, the HMLCD17e2 has a small form factor but efficiently maximizes the viewing area.

#### Features

- High resolution, SXGA 1280 x 1024
- High brightness, 300 cd/m<sup>2</sup>
- High contrast ratio, 1000:1
- Fast response time, <5 ms
- 3D comb filter and de-interlace for crisp, sharp picture
- 2 sets of looping BNC Composite inputs
- 1 set of looping S-Video input
- Analog RGB (15-pin DB-type) input
- 2 Inbuilt speakers
- Five language OSD display
- Convenient front-panel controls
- Remote control
- Power failure function provides auto turn-on in case of power failure
- VESA™ DDC mounting compliant



# HMLCD17e2

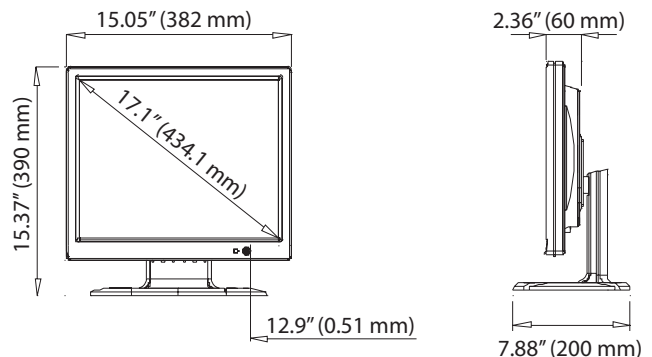
## e-Series LCD Monitor

www.honeywellvideo.com

### SPECIFICATIONS

Video	
Video Standard	NTSC / PAL - auto select
Input Signal Video	Composite: 0.5~2 Vp-p @75 ohm Y: 1.0 Vp-p C: 0.3 Vp-p
Horizontal Frequency	PC: 31K~64 kHz Video: 15750 Hz NTSC (15625 Hz PAL)
Vertical Frequency	PC: 55~75 Hz Video: 60 Hz NTSC (50 Hz PAL)
Audio Speaker	2 x 2.0 W / 8 ohm
Resolution	SXGA 1280 x 1024
Pixel Type	Active Matrix TFT
Pixel Dimension	0.264 x 0.264
Display Colors	16.7 million colors
Brightness	300 cd/m <sup>2</sup>
Contrast Ratio	1000:1
Response Time	<5 ms
Display Ratio	4:3
Viewing Angle	L/R: 80/80 U/D: 80/80°
Electrical	
Input Voltage	100~240 VAC, 50/60 Hz
Operating Voltage	12 VDC from power supply (included)
Power Consumption	36 W (maximum); <5 W standby
Audio Power	2 x 2W
Audio Input Level	-8 dBm
Controls	
On Screen Display (OSD)	Input Source, Screen, Audio, OSD, Color (PC Mode), Utility, Exit
OSD Languages	English, French, German, Italian, Spanish
Front Panel Controls	Source, Menu, Down, Up, Vol <, Vol >, Power

Mechanical	
Dimensions (W x H x D)	15.04" x 15.35" x 7.87" (382 mm x 390 mm x 200 mm)
Weight	Unit: 13.1 lb (5.9 kg) Shipping: 16.9 lb (7.7 kg)
Construction	Housing: Hi-impact plastic Finish: Black matte
Connectors	Video Inputs: 2 x BNC, 1 x S-Video, 1 x VGA (15 pin D-sub)
	Video out (looping): 2 x BNC, 1 x S-Video
	Audio Inputs: 2 x RCA (L+R, 1 set) 1 x PC Audio, Ø 3.5 mm Jack
	Power Input: 4 pin DIN
Environmental	
Temperature	Operating: 5° to 104° F (5° to 40° C) Storage: 4°F to 140°F (-20°C to 60°C)
Relative Humidity	20% to 85%
Regulatory	
Emissions	FCC: Part 15, Class B CE: EN 55022
Immunity	CE: EN 61004-3
Safety	UL: 60065 CE: EN 60065
Accessories	
HMLCDTM	Tilting wall mount, VESA standard
HMLCDCM	Ceiling mount, VESA standard
HMLCDARM	Articulating arm mount, VESA standard



Ordering	
HMLCD17e2	17" e-Series LCD monitor, NTSC/PAL, NA power cord
HMLCD17e2X	17" e-Series LCD monitor, NTSC/PAL, UK and Continental Europe power cord

**NOTE:** Honeywell reserves the right, without notification, to make changes in product design or specifications.

### Honeywell Security

Honeywell Video Systems  
2700 Blankenbaker Pkwy, Suite 150  
Louisville, KY 40299  
1.800.796.CCTV  
www.honeywell.com

L/HMLC17ED/D  
July 2007  
© 2007 Honeywell International Inc.

# Honeywell